

Linked Lists



Computer Science Department
University of Central Florida

COP 3502 – Computer Science I



Linked Lists

- What are they?
 - Abstraction of a list: i.e. a sequence of nodes in which each node is linked to the node following it.
- Why not just use an array?
 - Each node in an array is stored, physically, in contiguous spaces in memory
 - Arrays are fixed size (not dynamic)
 - Inserting and deleting elements is difficult
 - In an array of size 100, if we insert an element after the 10th element, all the remaining 90 elements must be shifted.



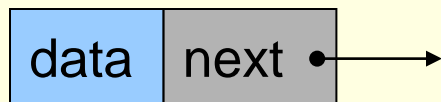
Linked Lists

- Why use linked lists?
 - They are dynamic; length can increase or decrease as necessary
 - Each node does not necessarily follow the previous one in memory
 - Insertion and deletion is cheap!
 - Only need to change a few nodes (at most)
- Is there a negative aspect of linked lists?
 - Getting to a particular node may take a large number of operations, as we do not know the address of any individual node



Linked Lists

- In detail:
 - A linked list is an ordered collection of data
 - Each element (generally called nodes) contains the location of the next element in the list
 - Each node essentially has two parts:
 - The data part
 - If this was a list of student records, for example, the data here may consist of a name, PID, social security number, address, phone, email, etc.
 - The link part
 - This link is used to chain the nodes together.
 - It simply contains a pointer variable that points to the next node in the linked list
 - Variable is often called “next”





Linked Lists - Example

```
struct ll_node a, b, c;
```

```
a.data = 1;
```

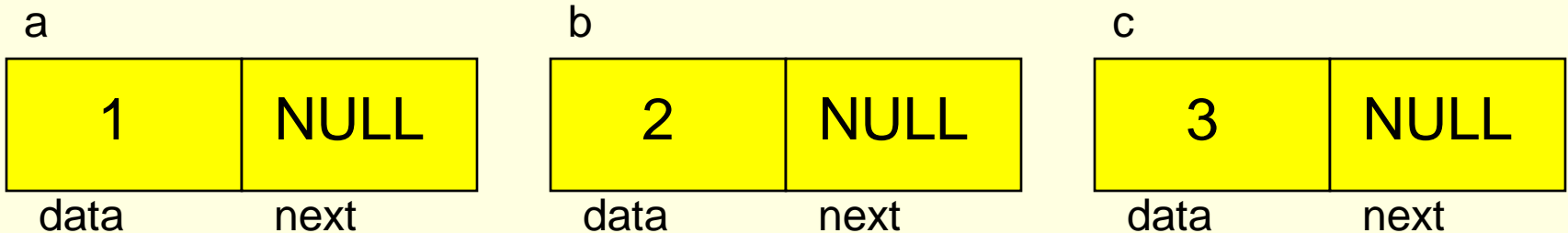
```
b.data = 2;
```

```
c.data = 3;
```

```
a.next = b.next = c.next = NULL;
```

Previous struct declaration:

```
struct ll_node {  
    int data;  
    struct ll_node *next;  
};
```





Linked Lists – Example (cont.)

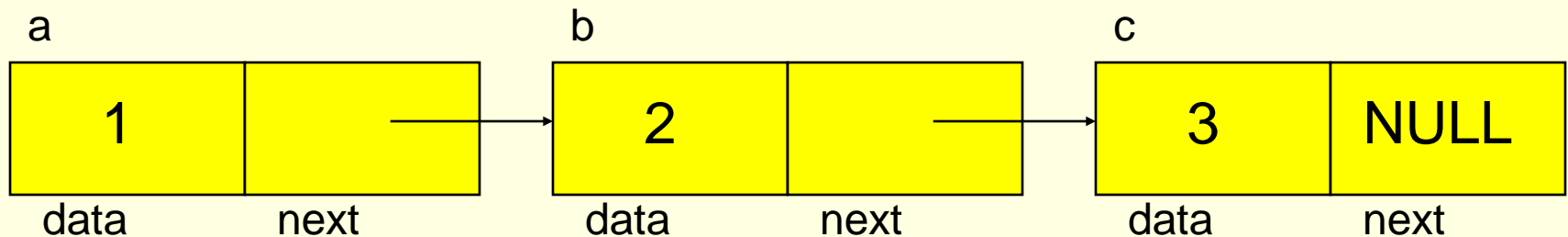
a.next = &b;

b.next = &c;

a.next -> data has value 2

a.next -> next -> data has value 3

b.next -> next -> data error !!





Linked Lists

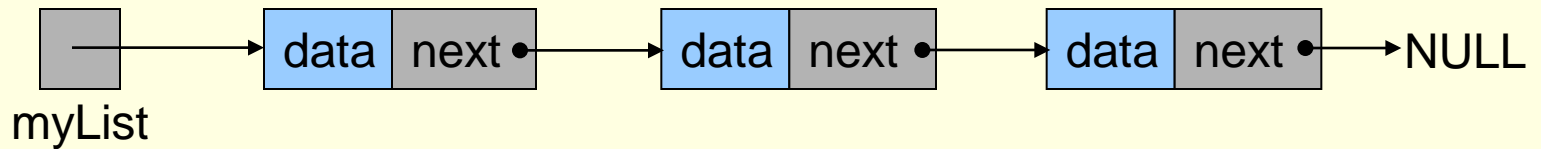
- In detail:
 - You can think of each node as a record
 - The first part of the record is all the necessary data
 - The final part of the record is a field that stores a pointer to the next node in the list
 - Head of the list
 - Each node of the list is created dynamically and points to the next node
 - So from the first node, we can get to the second, and so on
 - But how do you reach the first node?
 - You must have a pointer variable that simply points to the first node of the list
 - Simply called whatever you choose to name your list (myList)



Linked Lists

- Example of a Linked List

- Don't get confused over the "data" here
 - It could be simply an integer value
 - It could be 20+ separate fields of information storing name, address, phone, email, etc.

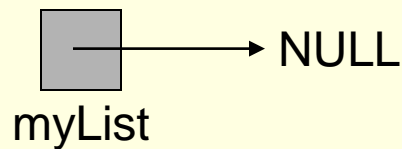


A linked list containing three elements



Linked Lists

- Example of an Empty Linked List
 - This list is empty
 - There are no nodes (elements)
 - myList simply points to NULL
 - Which signifies an empty list



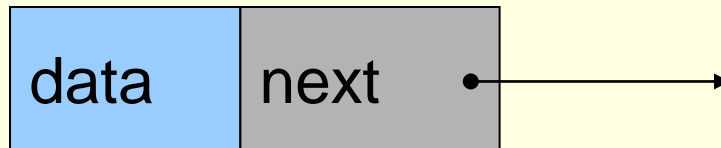
An empty linked list



Nodes of a Linked List – Examples

■ Linked List Nodes

- Here's a picture of a single linked list node



*For the sake of ease, data will simply be an int value in this example.

- Here's the struct that we would use to define this node

```
struct ll_node {  
    int data;  
    struct ll_node *next;  
};
```

So what is *next?
It is a pointer of type
struct ll_node.
It stores the address to
the next node in the list.



Nodes of a Linked List – Examples

- Linked List Nodes
 - A node with three data fields:

```
struct student_node {  
    char name[20];  
    char PID[8];  
    double grdPts;  
    struct student_node *next;  
};
```



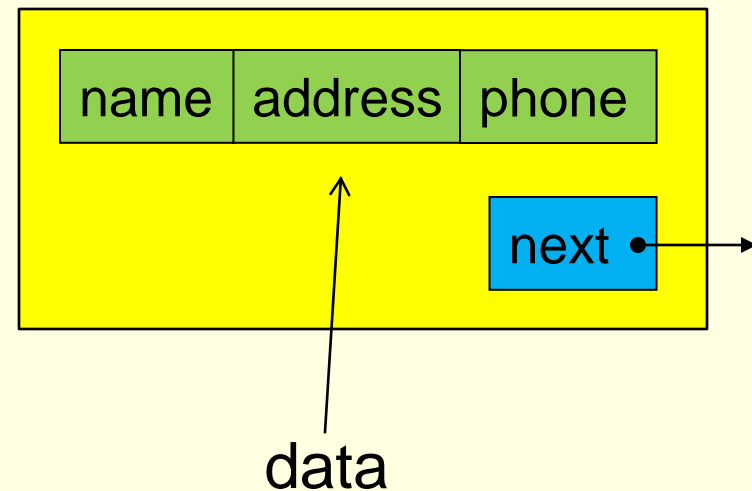


Nodes of a Linked List – Examples

- Linked List Nodes
 - A struct within a node:

```
struct person{
    char name[20];
    char address[50];
    char phone[10];
};

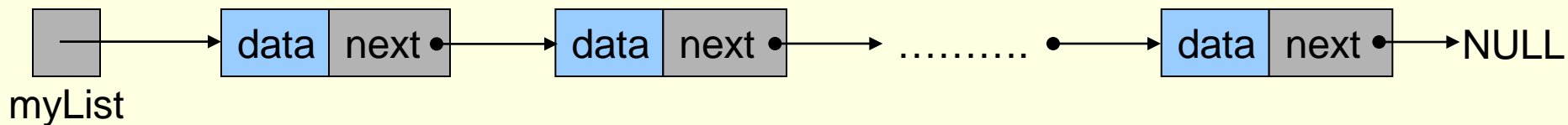
struct person_node{
    struct person data;
    struct person_node *next;
};
```





Linked Lists

- Accessing Nodes of a Linked List
 - Let's assume we already have a list created with several nodes
 - Don't worry how we made this
 - We'll get to that in a bit
 - We access the list via the head ptr, `myList`
 - How would you move to the 2nd node in the list?



A linked list containing many elements

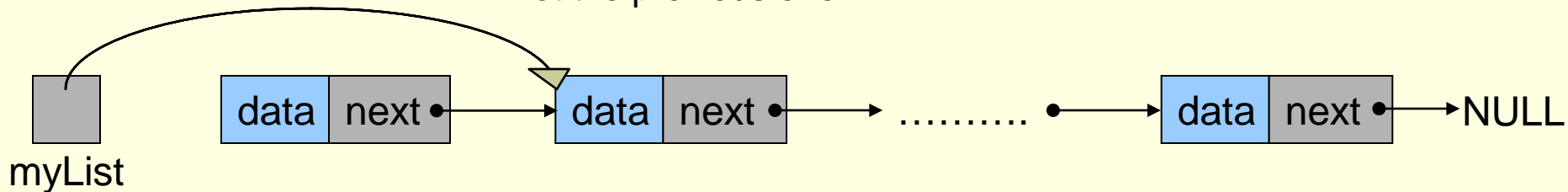


Linked Lists

■ Accessing Nodes of a Linked List

■ One of the most common errors:

- “moving” the head of the list to point to subsequent nodes
- Consider if we made `myList` point to the second node
 - Instead of pointing to the first node
- We would essentially lose access to the first node
 - Cause each node only points to the NEXT node
 - Not the previous one



A linked list containing many elements



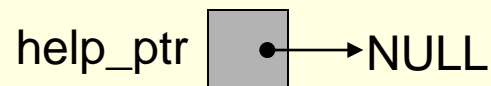
Linked Lists

■ Accessing Nodes of a Linked List

- How then do we traverse (walk down) a list?
- We make a temporary `ll_node` pointer to help us move through the list

```
struct ll_node *help_ptr;  
help_ptr = NULL;
```

- It isn't good to leave variables uninitialized
 - So we initialize `help_ptr` to `NULL`





Linked Lists

■ Accessing Nodes of a Linked List

- We want `help_ptr` to traverse the list
 - So it needs access to the list
 - We use the following line:

```
help_ptr = myList;
```

- Remember that `myList` is a pointer of type `ll_node`
- Also, `help_ptr` is a pointer of type `ll_node`
- So this line basically says:
 - Take the address that is saved in `myList` (where `myList` points to)
 - And save that address into `help_ptr` (make `help_ptr` point to the same place)



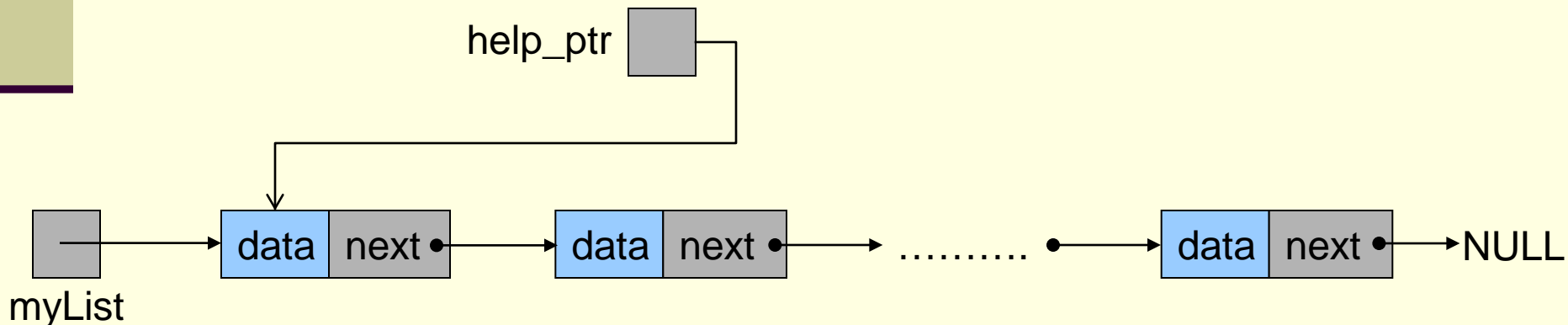
Linked Lists

- Accessing Nodes of a Linked List

- We want `help_ptr` to traverse the list
 - So it needs access to the list
 - We use the following line:

```
help_ptr = myList;
```

- Here's what our picture looks like now:



A linked list containing many elements

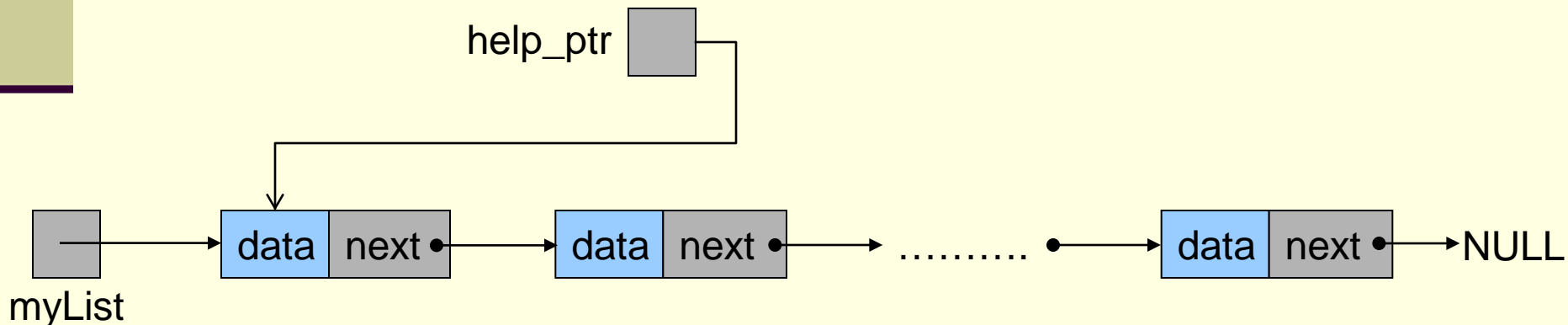


Linked Lists

■ Accessing Nodes of a Linked List

- Now, here's how we could access the “data” field of the first node in the list:

`(*myList).data` OR `(*help_ptr).data`
`myList->data` OR `help_ptr->data`



A linked list containing many elements



Linked Lists

■ Accessing Nodes of a Linked List

- Now, here's how we could access the “data” field of the first node in the list:

```
(*myList).data    OR    (*help_ptr).data  
myList->data      OR    help_ptr->data
```

■ Few things to notice here:

- Both of these expressions refer to the same exact data variable
 - since `myList` and `help_ptr` are pointing to the same exact node of the linked list
- We use the dot operator to refer to a field within the record, as learned with structs in COP 3223



Linked Lists

■ Accessing Nodes of a Linked List

- Now, here's how we could access the “data” field of the first node in the list:

```
(*myList).data    OR    (*help_ptr).data  
myList->data      OR    help_ptr->data
```

■ Few things to notice here:

- Remember that `myList` and `help_ptr` are NOT actual nodes. They are NOT of type `ll_node`.
 - Rather, they are both POINTERS of type `ll_node`
- Therefore, in order to access the first node, we MUST dereference the pointer using the `*` symbol
 - Notice that `myList.data` is syntactically incorrect because `myList` is NOT of type `ll_node`



Linked Lists

■ Accessing Nodes of a Linked List

- Now, here's how we could access the “data” field of the first node in the list:

`(*myList).data` OR `(*help_ptr).data`

`myList->data` OR `help_ptr->data`

■ Few things to notice here:

- Finally, notice that the arrow, `->`, provides a valid, alternative syntax
- Most people find it easier to type
 - `help_ptr->data`
 - instead of
 - `(*help_ptr).data`



Linked Lists

■ Accessing Nodes of a Linked List

■ Traversing (moving through) the list

- We can use `help_ptr` to traverse the list pointed to by `myList`
- Here would be the instruction to walk one node over:

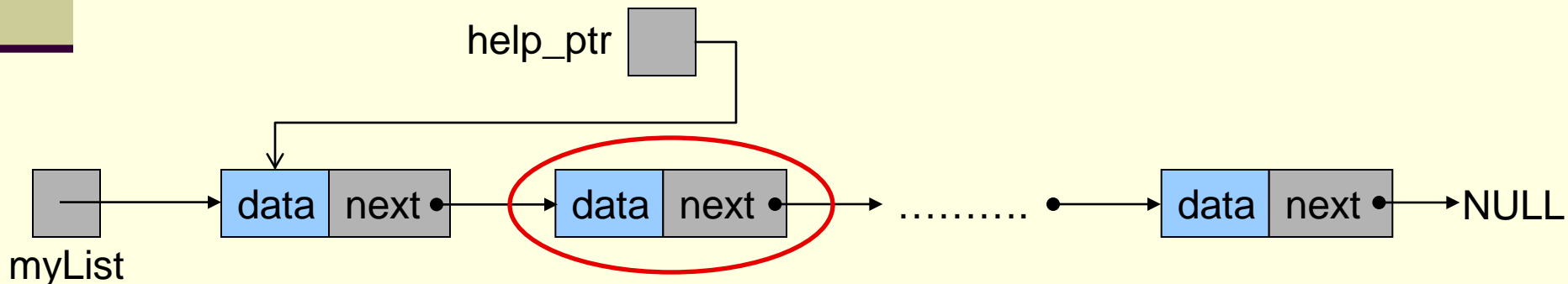
```
help_ptr = help_ptr->next;
```

- Note that the syntax here is correct
 - Why?
 - Cuz both sides of the assignment statement are pointers to `struct ll_node`
- Let's now examine this statement in detail
 - And how it changes our picture



Linked Lists

- Accessing Nodes of a Linked List
 - Traversing (moving through) the list
 - Here's our before picture:
 - Remember, what is the goal here?
 - We want `help_ptr` to point to the second node in the list
 - The question is:
 - How do we accomplish this?

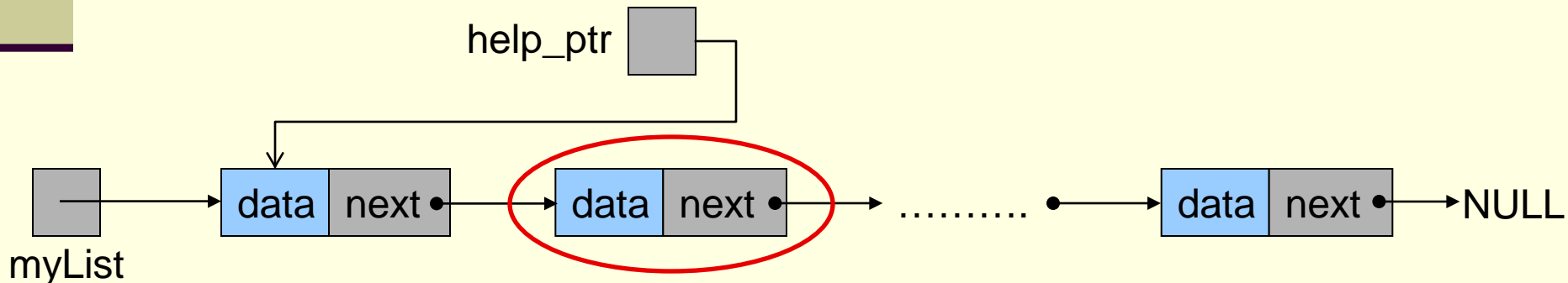


A linked list containing many elements



Linked Lists

- Accessing Nodes of a Linked List
 - Traversing (moving through) the list
 - Think:
 - That second node is located somewhere in memory
 - It has an address
 - Currently where is that address saved?
 - In other words, locate the pointer that is pointing to the second node



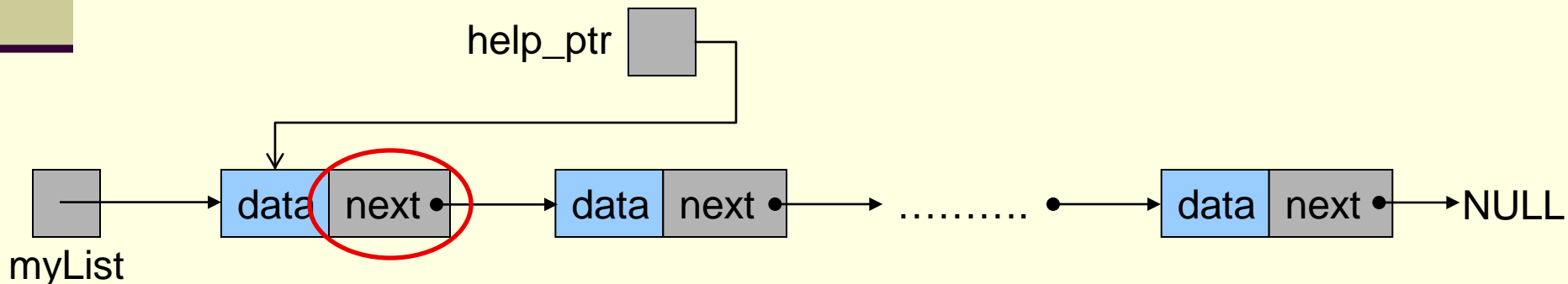
A linked list containing many elements



Linked Lists

- Accessing Nodes of a Linked List
 - Traversing (moving through) the list
 - Think:

- The “next” pointer, of the first node, is currently pointing to the second node
- And what is a pointer? An address!
- So the address of the second node is currently saved in the “next” pointer of the first node

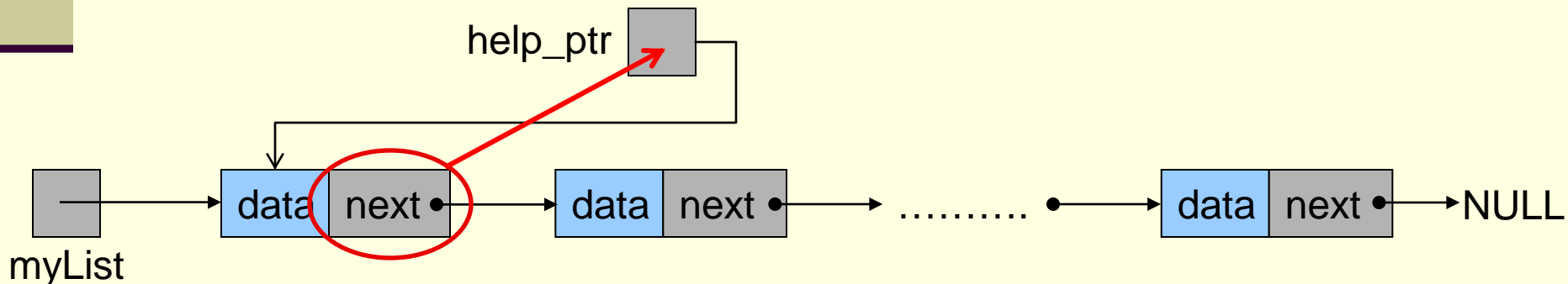


A linked list containing many elements



Linked Lists

- Accessing Nodes of a Linked List
 - Traversing (moving through) the list
 - Remember:
 - We want `help_ptr` to point to the second node
 - So we need to take the address that is stored in the “next” of the first node and save it into `help_ptr`
 - This will make `help_ptr` point to the second node



A linked list containing many elements

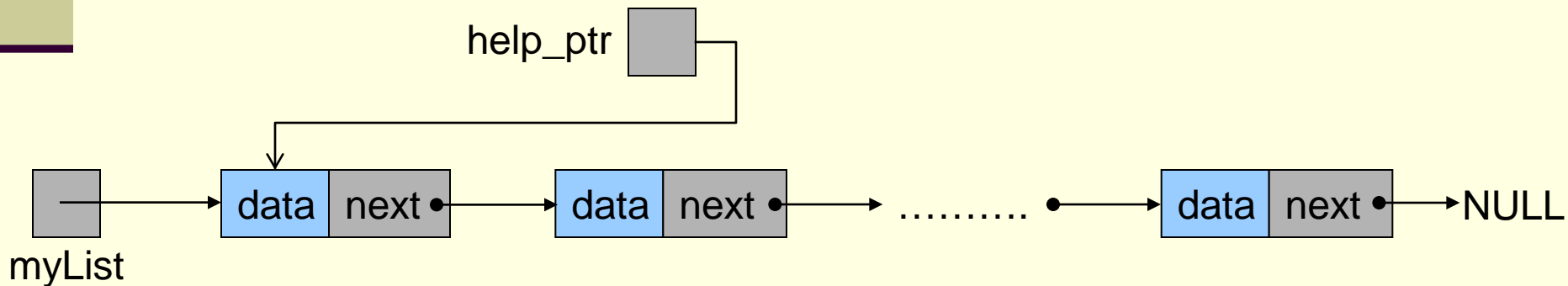


Linked Lists

- Accessing Nodes of a Linked List
 - Traversing (moving through) the list
 - Again, here's the instruction that does this:

```
help_ptr = help_ptr->next;
```

- Here's how that statement changes our picture:



A linked list containing many elements

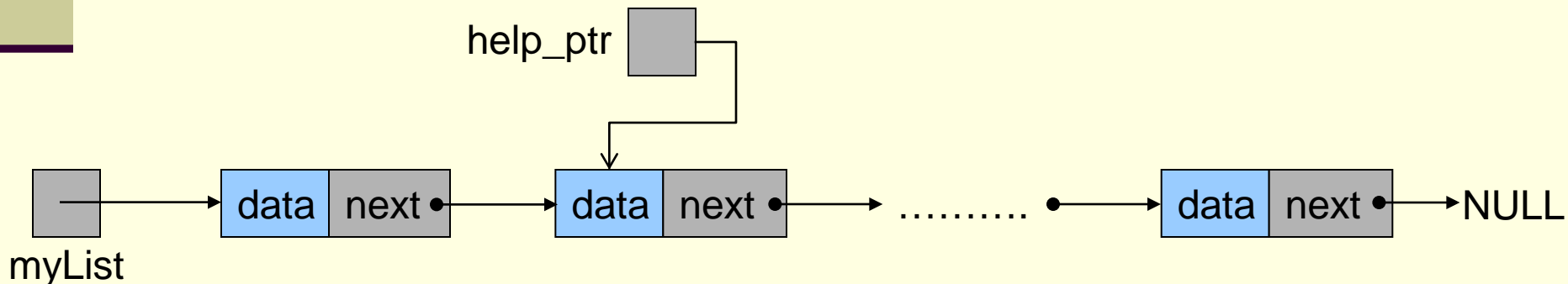


Linked Lists

- Accessing Nodes of a Linked List
 - Traversing (moving through) the list
 - Again, here's the instruction that does this:

```
help_ptr = help_ptr->next;
```

- Here's how that statement changes our picture:

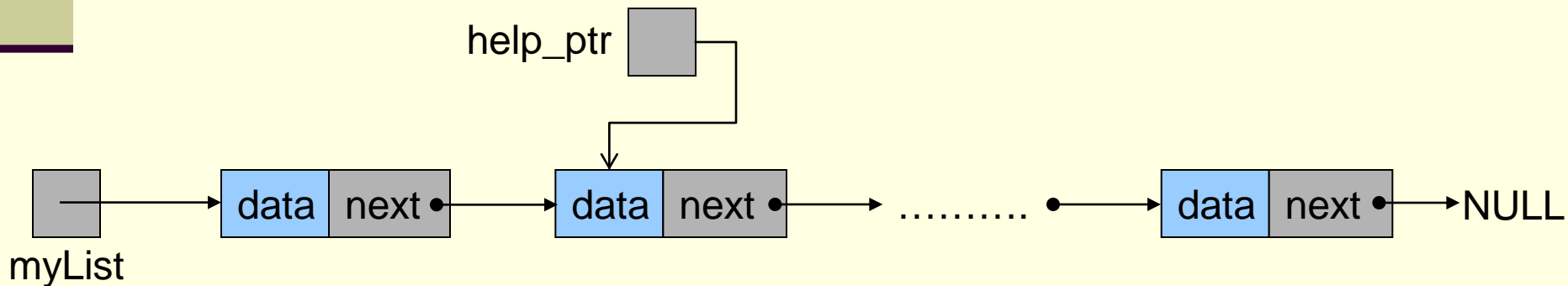


A linked list containing many elements



Linked Lists

- Accessing Nodes of a Linked List
 - Traversing (moving through) the list
 - Now we could refer to the data field of the second node as: `help_ptr->data`
 - We can also repeatedly use `help_ptr` in this fashion to iterate through the list



A linked list containing many elements



Linked Lists

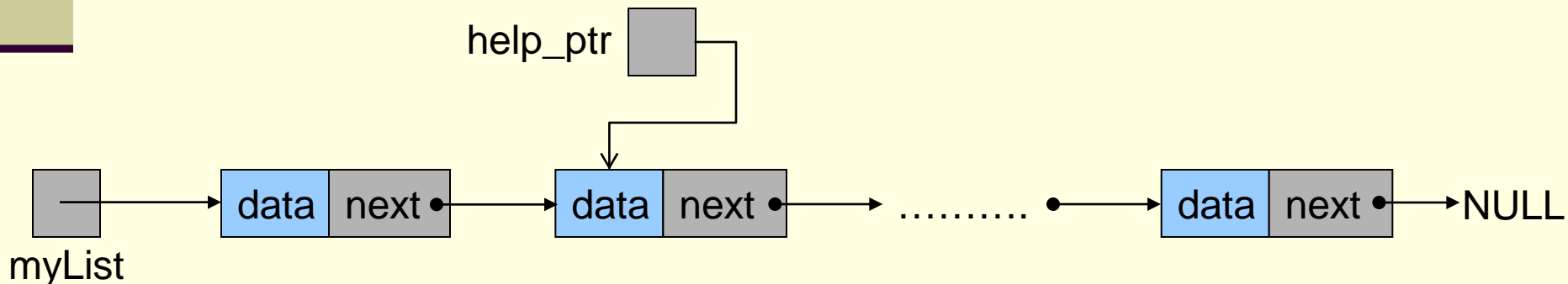
■ Accessing Nodes of a Linked List

■ Traversing (moving through) the list

- We could also modify the values in the list with a statement like:

```
help_ptr->data = 10;
```

- This saves 10 into the data field of the second node
- This sort of manipulation is handy for “editing” lists



A linked list containing many elements



Brief Interlude: Human Stupidity





Traversing Linked Lists

- Traverse and Print out data of a linked list
 - **Assume** that `myList` is already pointing to a valid linked list of nodes of type `ll_node`
 - Here's the code to **Traverse** a linked list:

```
struct ll_node *help_ptr;
help_ptr = myList;

while (help_ptr != NULL) {
    printf("%d ", help_ptr->data);
    help_ptr = help_ptr->next;
}
```

- Let's take a closer look



Traversing Linked Lists

- Traverse and Print out data of a linked list

```
struct ll_node *help_ptr;  
help_ptr = myList;
```

- Let's take a closer look:
 - We start by making our `help_ptr`
 - `myList` is the pointer that points to our actual list
 - So we save this value into `help_ptr`
 - Which we use to traverse the list



Traversing Linked Lists

- Traverse and Print out data of a linked list

```
struct ll_node *help_ptr;  
help_ptr = myList;  
  
while (help_ptr != NULL) {
```

- Let's take a closer look:
 - The while statement simply makes sure that we are pointing to a valid node
 - Because if `help_ptr` is `NULL`, we have reached the end of the list



Traversing Linked Lists

- Traverse and Print out data of a linked list

```
struct ll_node *help_ptr;  
help_ptr = myList;  
  
while (help_ptr != NULL) {  
    printf("%d ", help_ptr->data);  
}
```

- Let's take a closer look:
 - So while `help_ptr` is not NULL
 - Meaning, we are at a valid node of the linked list
 - We print out that particular node's "data" field



Traversing Linked Lists

- Traverse and Print out data of a linked list

```
struct ll_node *help_ptr;
help_ptr = myList;

while (help_ptr != NULL) {
    printf("%d ", help_ptr->data);
    help_ptr = help_ptr->next;
}
```

- Let's take a closer look:
 - So while `help_ptr` is not NULL
 - We then move `help_ptr` over to the next node in the list
 - This is the SAME line of code that we went over in detail on earlier slides



Traversing Linked Lists

- Traverse and Print out data of a linked list

```
struct ll_node *help_ptr;
help_ptr = myList;

while (help_ptr != NULL) {
    printf("%d ", help_ptr->data);
    help_ptr = help_ptr->next;
}
```

- Let's take a closer look:
 - So while `help_ptr` is not NULL
 - We basically print a node's data and then traverse down the list one step
 - We do this again, and again, and again, and ...



Traversing Linked Lists

- Traverse and Print out data of a linked list

```
struct ll_node *help_ptr;
help_ptr = myList;

while (help_ptr != NULL) {
    printf("%d ", help_ptr->data);
    help_ptr = help_ptr->next;
}
```

- Let's take a closer look:
 - At some point, we will reach the last node
 - The “next” value of that node will point to **NULL**
 - Which will get saved into `help_ptr`
 - Which will kick us out of this while loop



Traversing Linked Lists

- Traverse and Print out data of a linked list
 - Food for thought:
 - Would the following code be valid if we didn't use the helper pointer node, `help_ptr`?
 - Yes, it would be valid
 - And it would traverse the list just fine

```
// myList is already pointing to
// a valid list

while (myList != NULL) {
    printf("%d ", myList->data);
    myList = myList->next;
}
```



Traversing Linked Lists

- Traverse and Print out data of a linked list
 - Food for thought:
 - But what is the negative aspect of doing this?
 - In other words, why do we want to use `help_ptr`?
 - Once this while loop finishes, `myList` is pointing to NULL! We've effectively LOST OUR LIST!

```
// myList is already pointing to
// a valid list

while (myList != NULL) {
    printf("%d ", myList->data);
    myList = myList->next;
}
```




Traversing Linked Lists

- Traverse and Print out data of a linked list
 - Remember:
 - When traversing linked lists, you ALWAYS want to use a helper pointer
 - NEVER use the head of the list for this purpose
 - This allows you to maintain the integrity of the list

```
struct ll_node *help_ptr;
help_ptr = myList;

while (help_ptr != NULL) {
    printf("%d ", help_ptr->data);
    help_ptr = help_ptr->next;
}
```



Traversing Linked Lists

- Traverse and Modifying data of a linked list
 - **Assume** that `myList` is already pointing to a valid linked list of nodes of type `ll_node`
 - This struct (`ll_node`) was defined earlier
 - Let's say we want to add "10" to the data field of all nodes. Here's the code to do this:

```
struct ll_node *help_ptr;
help_ptr = myList;

while (help_ptr != NULL) {
    help_ptr->data += 10;
    help_ptr = help_ptr->next;
}
```



Traversing Linked Lists

- Traverse and Modifying data of a linked list

```
struct ll_node *help_ptr;
help_ptr = myList;

while (help_ptr != NULL) {
    help_ptr->data += 10;
    help_ptr = help_ptr->next;
}
```

- Let's take a closer look:
 - This works just like the last example
 - Instead of printing out the data field of each node
 - We are modifying each data field
 - Simply adding 10 to whatever is already stored in it



Traversing Linked Lists

- Traverse and Modifying data of a linked list

```
struct ll_node *help_ptr;
help_ptr = myList;

while (help_ptr != NULL) {
    help_ptr->data += 10;
    help_ptr = help_ptr->next;
}
```

- Let's take a closer look:
 - We then traverse the list with the second instruction of the while loop
 - When we reach the end of the list, `help_ptr->next` will be NULL, and we will exit the loop



Linked Lists - Operations

- There are several basic operations that need to be performed on linked lists:
 1. Add a node.
 2. Delete a node.
 3. Search for a node.

- For each of these, you need to know how to traverse the list from the previous slides

- Next time, we will go over Adding nodes to a list

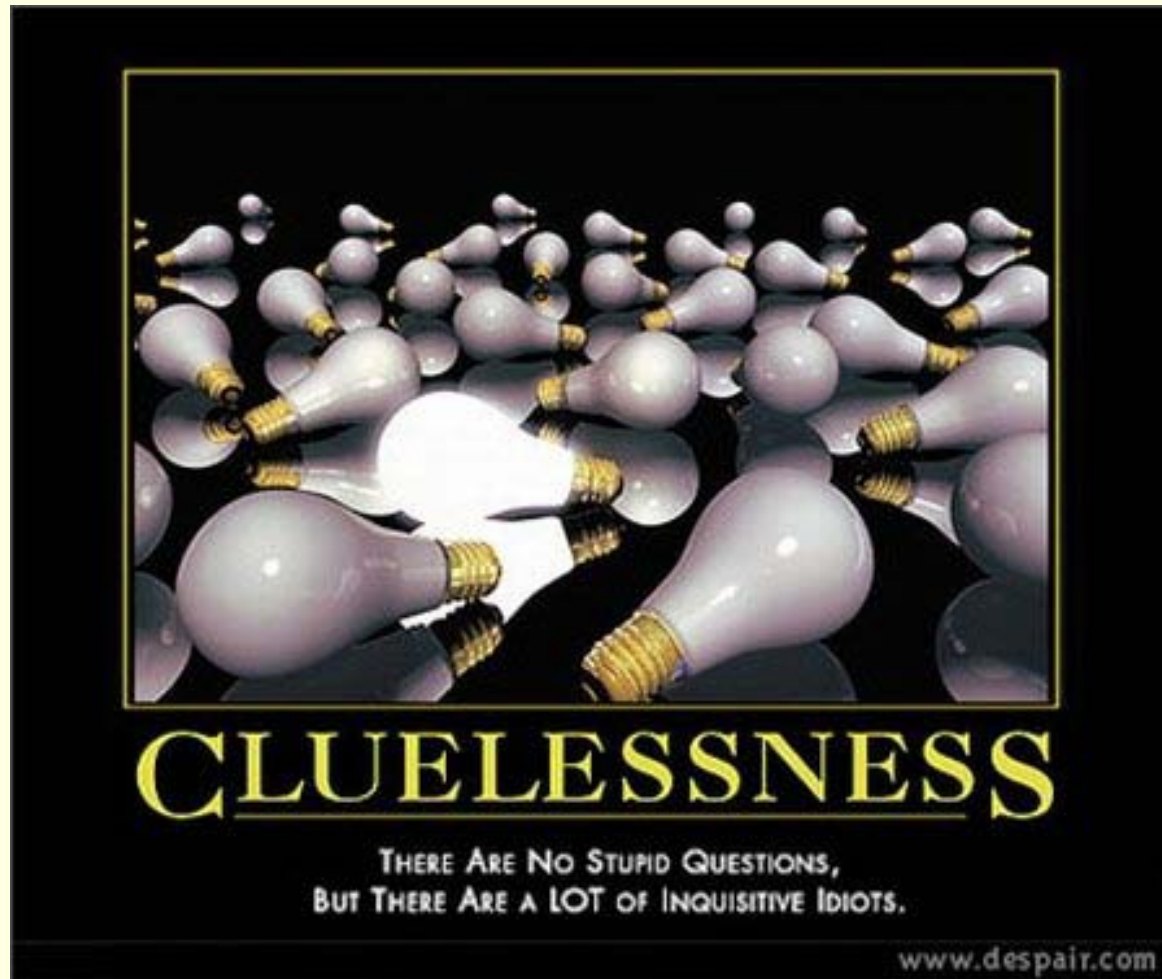


Linked Lists

**WASN'T
THAT
AMAZING!**



Daily Demotivator



Linked Lists



Computer Science Department
University of Central Florida

COP 3502 – Computer Science I